



Designed in
Belgium

**Motorized
Screen Systems**



MeshWorkz[®]

Let your home breathe.

About MeshWorkz

Meshworkz brings years of experience in designing and manufacturing fly screen systems. Since the business commenced operations in 2011 we have made available some of the best systems at affordable prices.

The Meshworkz range of fly screen systems for different applications has set the standard in the industry. Meshworkz was established keeping in mind that there is a need for engineered systems and a trusted supplier for screens in the fenestration industry.

We have delivered to the industry the level of service which is unmatched and the range of products which are of international standard at affordable rates. We believe that only quality has a future and by delivering quality products we are supporting the fenestration industry and helping our customers grow with us.



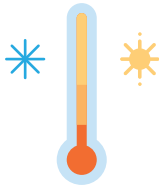
All Weather Protection.

SC800 protects you from the sun, wind, dust, insects and even rain water. It is a highly customizable screen and is made of high quality fabric that remains taut and looks good and fresh even after years of use.



Quality

MeshWorkz offers the highest quality in the largest dimensions, with screens of up to 18 m² to create a uniform and streamlined unit. The innovative tensioning system in the guide rail keeps the fabric in place, preventing the fabric from flapping, the bottom laths from moving and intrusive sunlight from shining in.



Comfort

Our screens make the indoors more pleasant on hot days. Screens keep your home at the right temperate and make it more energy-efficient. You save money on air cooling because 90% of the heat is obstructed before it even reaches the window. Moreover, screens are ideal filters that prevent annoying sunlight on TV and computer screens, yet still give you a clear view outside.



Colours

We offer a unique range of 300 tasteful colours. This allows you to perfectly match your screen to the style and colour of your home or office building facade. Trendy colours with a granulated structure are also available. This structured paint is especially wear and scratch-proof, dirt-repellent and requires very little maintenance. Structured paint gives your screen a stylish, contemporary look.



Design

Screens are easy to fit to any window profile or facade. The main components of a screen are the box, the bottom lath, the fabric and the guide rails. These are made from extruded aluminium, with powder coating.

Are you looking for an extremely robust screen that also keeps insects out?

With the SC800, you can kill two birds with one stone. This screen has a unique track system which makes it wind-proof and keeps the fabric perfectly tensioned and in position in the guide rails. The thickened track on the fabric slides in a plastic guide profile which is in turn slid into the aluminium guide rail profile.

The SC800 also offers practical protection against insects as the space between the box, the guide rails and the fabric is completely sealed off. You can use this screen - which complies with wind resistance class 3 - to screen an area of up to 18 m² with a single piece of fabric.

Key Features

- Box is fitted in front of the window
- Box type option: rounded and straight
- Fabric with track principle
- Ideal for large areas

Maximum Dimensions

Width: 5m

Height: 6m

Area: 18m²

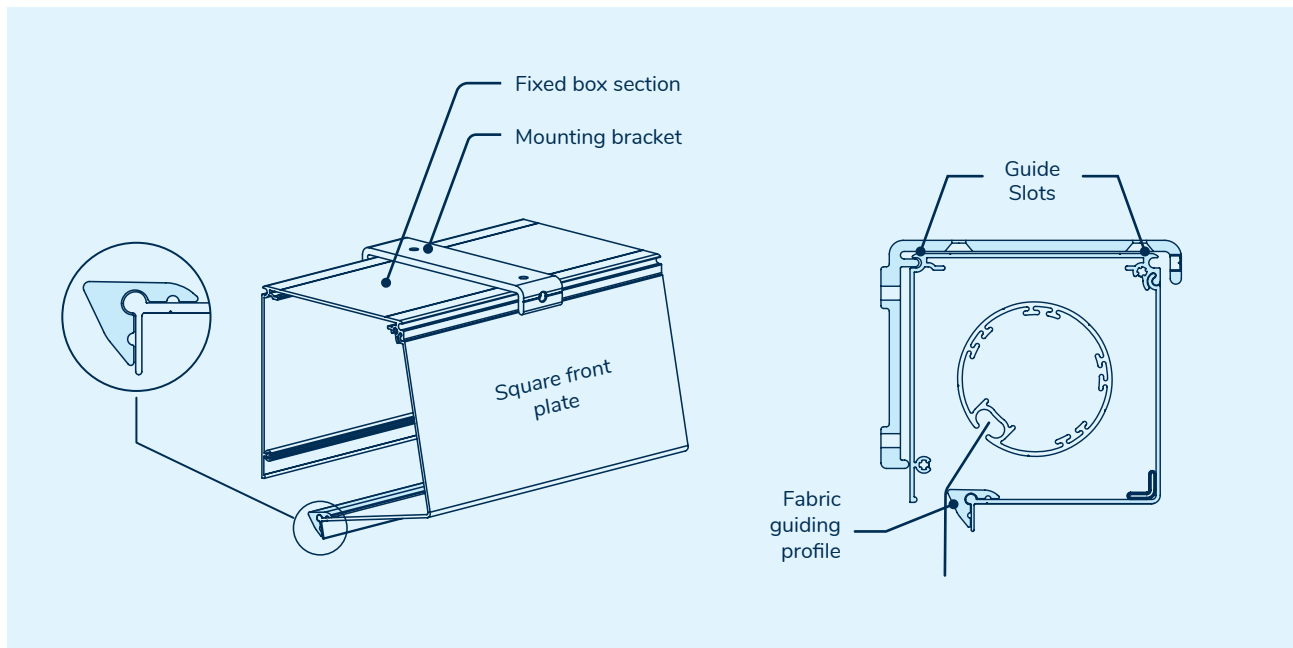
Box Type

Material: Extruded aluminium with powder coating.

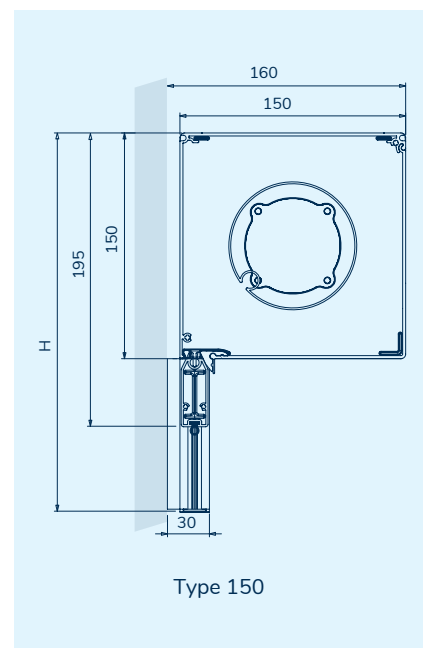
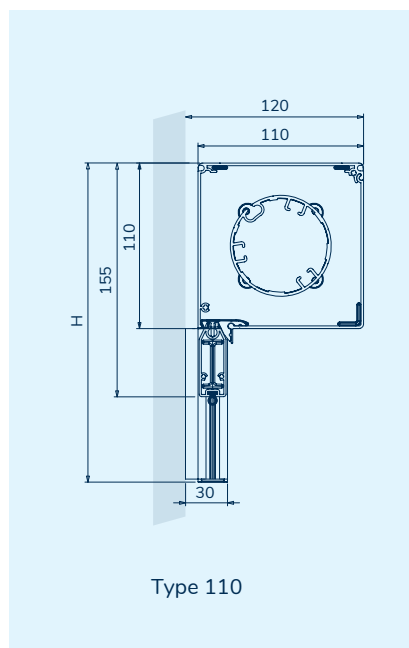
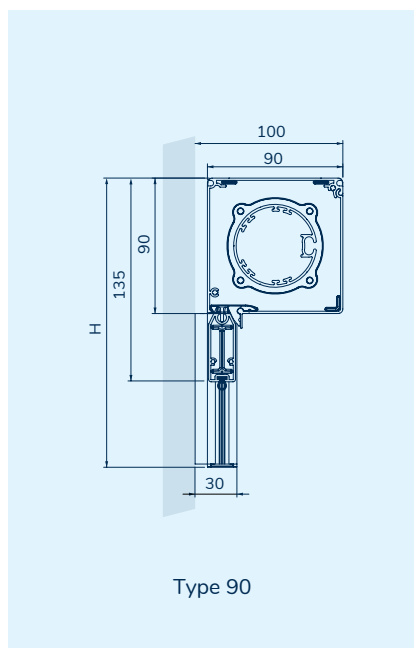
Available in four sizes: Type 90, Type 110, and Type 150 (only for pin guide mounting).

Fabric guiding profile:

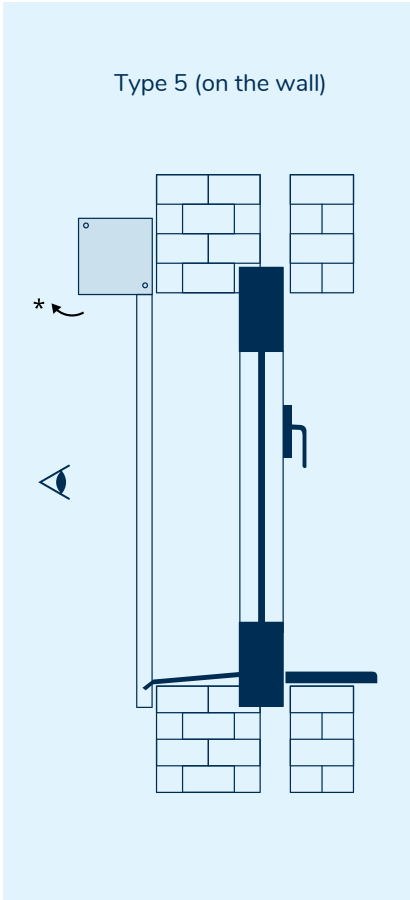
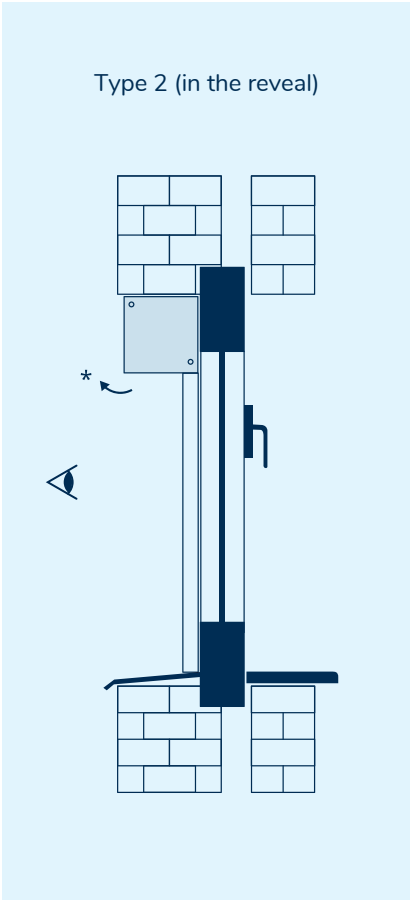
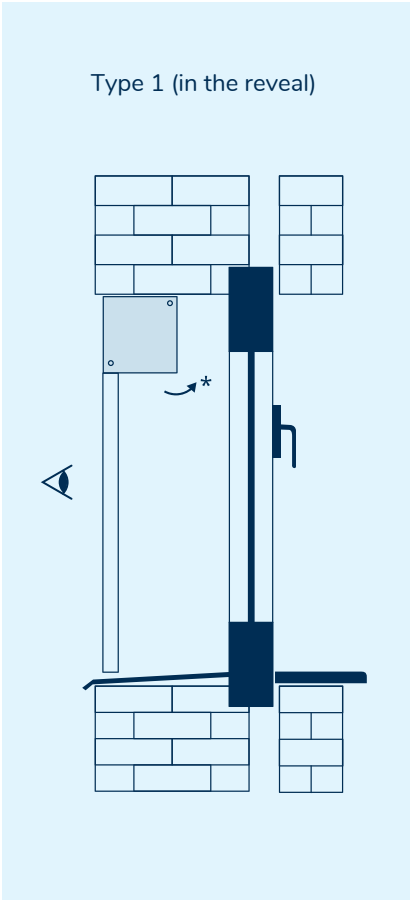
- Mounted on the box profile.
- Guide the fabric out of the box.
- Used as a stop of the bottom lath over the whole width of the box profile.
- Must be present to ensure a smooth fabric.



Pin guide mounting



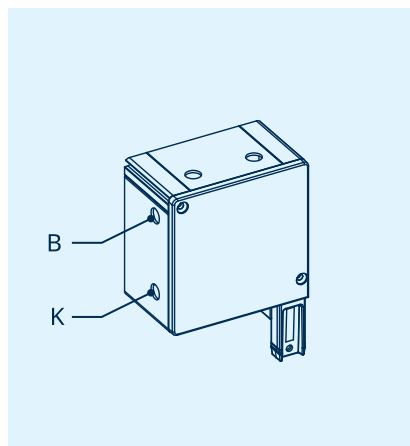
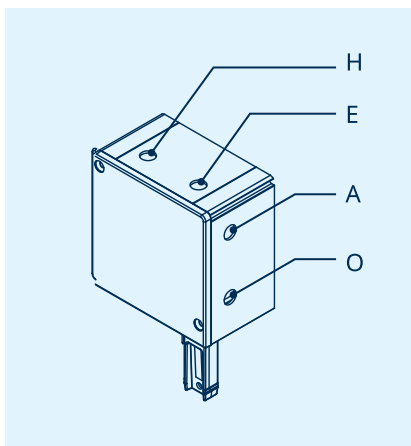
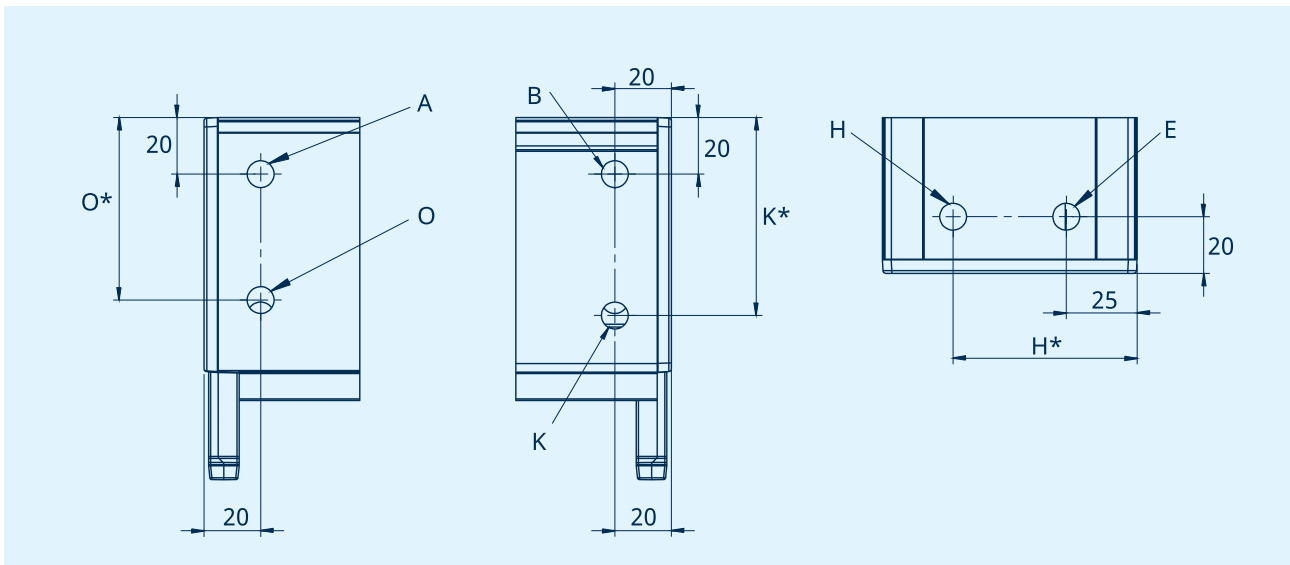
Mounting Type



* space to open the box

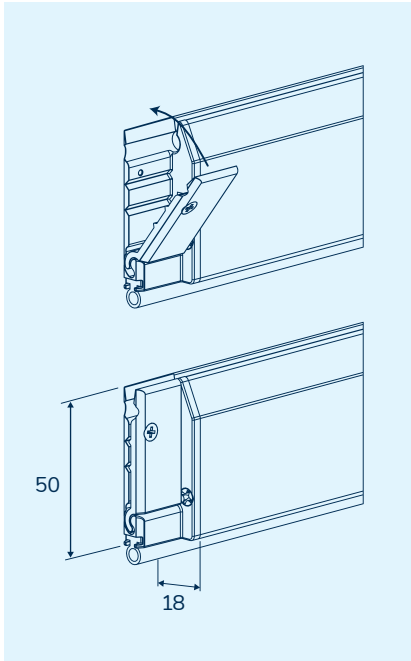
Motor Operating Exit

The exact location of the operation exit can be seen on the drawings.



Box	E	H*	K*	O*
90	-	-	70	65
110	25	85	90	85
150	25	125	130	125

Bottom lath and sliding blocks



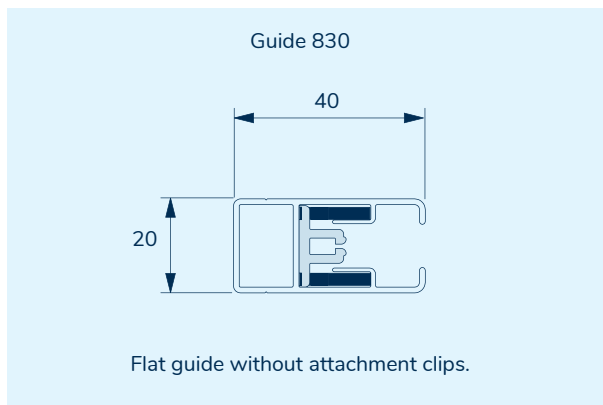
Bottom lath:

- Material: extruded aluminium profile with:
 - a powder coated finish.
 - a room for a weighting strip.
 - a fabric groove.
 - a groove for sealing rubber
- Fabric is attached to bottom lath without screws, using a plastic tube \varnothing 3 mm.
- Partially concealed in the screen box when fabric is rolled up
- Options: brush instead of rubber strip.

Sliding blocks:

In 2 parts for a good clamping of the fabric.

Guides



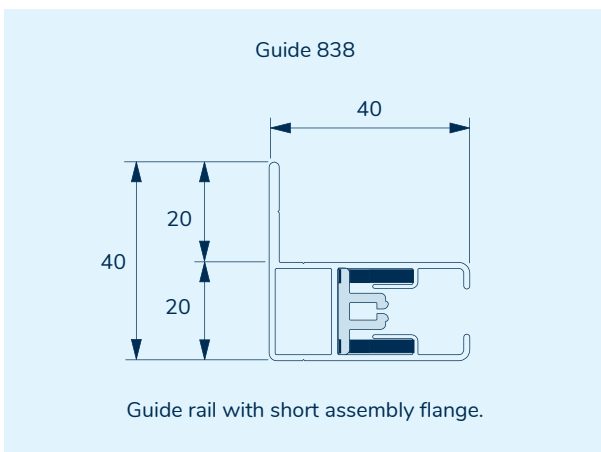
Material:

Extruded aluminium profiles with a powder coated finish.

Pin guide mounting:

The screen box is mounted onto the guides. The guides move over the pin of the consoles.

(See figure)



Fabric

We use TuffScreen®, a tightly woven and strong material fabric. The tighter the weave, the greater the day and night time privacy and protection.

- TuffScreen® provides durable protection from severe weather.
- Gives a little extra privacy.
- Comes with a 10-year warranty.

Characteristic	Reference Test Method	Nominal Results	
		Warp	Fill
Yarn Diameter (Inch)	TMS-TM-001	0.018	0.018
Tensile Strength			
A) Cut Strip Method (Lb)	ASTM D 5035	140	113
B) Grab Method (Lb)	ASTM D 5034	174	148
Tearing Strength			
Trapeziod Method (Lb)	ASTM D 1117	37	31
Yarn Slippage (Lb)	ASTM D 4912	31	27
Stiffness (Mg)	ASTM D 3656	264	145
Stretch (%)	TMS-TM-002	1.1	4
Set (%)	TMS-TM-002	0.2	0.8
Mesh Weight (Oz/sq Yd)	ASTM D 3776	7.1	
Fabric Thickness (Inch)	ASTM D 1777	0.027	
Bond Strength (Lb)	CS 248-64(5.5)	42	
Openness (%)	TMS-TM-009	45	
Blocking	FS L-S-125B(4.4.9)	Scale 1	
Colorfastness To 1200hrs			
Color Change According To Aatcc Gray Scale	TMS-TM-003	All Colors 4 Min	
Mullen Bursting Strength(Psi)			
Initial	FS L-S-125B(4.4.7)	308	

TuffScreen® is a brand of Phifer, and made in USA.
 Product certified for low chemical emissions

ZIP Technology

Unique to this innovative system is the concealed, stainless steel spring in the guide rails. The spring does not wear, so the fabrics retain their tautness for many years. The system is extremely wind-resistant, up to 140 km/h.

Dimensions

SC800 H \ B	500	2500	2600	2700	2800	2900	3000	3100	3200	3300	3400	3500	3600	3700	3800	3900	4000	4100	4200	4300	4400	4500	
400																							
1000																							
1500																							
1600																							
1700			1																				
2000																							
2100																							
2300																							
2400																							
2500																							
2600																							
2700						2																	
2800																							
2900																							
3000																							
3100																							
3200																							
3300																							
3400																							
3500																							
3600																							
3700																							
3800																							
3900																							
4000																							
4100																							
4200																							
4300																							
4400						3																	
4500																							
4600																							
4700																							
4800																							
4900																							
5000																							
5100																							
5200																							
5300																							
5400																							
5500																							
5600																							
5700																							
5800																							
5900																							
6000																							

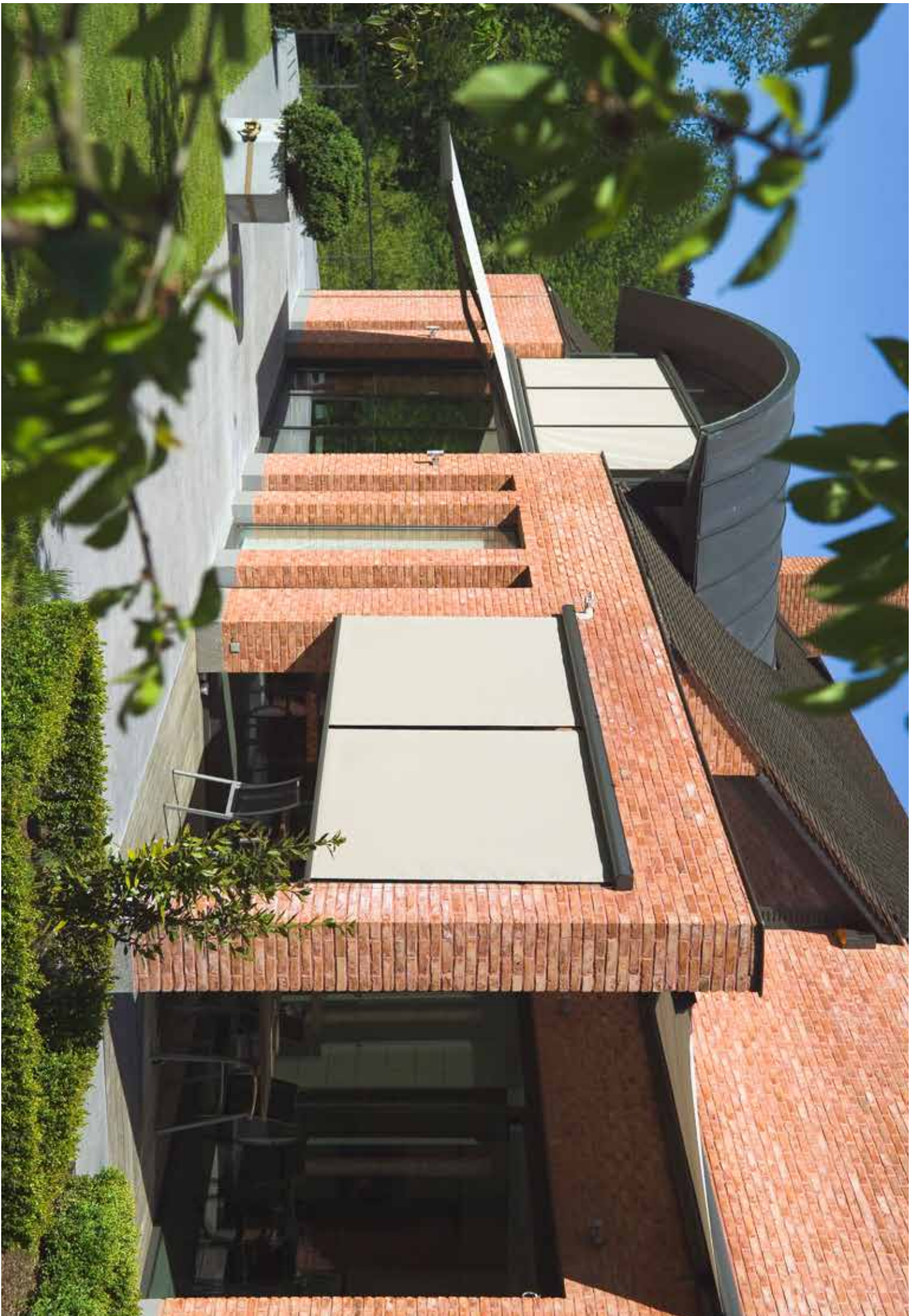
Roll-up tables SC800

1	Box 90
2	Box 110
3	Box 150
X	Not possible

Fabric: TuffScreen®
Operation: Motor Altus 50
Axle: 67 - 85 - 95
Box: 90 - 110 - 150









MeshWorkz.com

INDIA: Kelegent Metaplast India Pvt. Ltd., Industrial Shed #7, Survey #24/2,
Jadhavrao Industrial Estate, Nanded City, Sinhagad Road, Pune - 411041.
info@meshworkz.com | +91 78880 27448

UAE: Global Window Metal Mesh Factory LLC, Street #22,
Shed #5, Industrial Area 15, Near Al Marai Depo, Maliha Road, Sharjah, UAE.
sales@meshworkz.ae | +971 6533 4459